



## 270-474型金属密封蝶阀

### ITEM 270-474

Butterfly valve “metal-metal” to be inserted between flanges, “Wafer” type

金属密封对夹式蝶阀，“Wafer”型

#### Standard executions:

Valve type 270: body and butterfly in cast iron.

Valve type 474: body and butterfly in AISI 316.

Available range: from DN 40 to DN 200  
PN 10 - PN 16 - ANSI 150

Standard flanges: PN10 - PN16 - ANSI 150

Face to face as per ISO 5752.

Valve head as per ISO 5211.

The metal-metal valve is suitable for fluids at working temperature from -50°C to +100°C.

Working pressure: PN16 bar for DN40-DN200

Valve leakage approximately 1,5-2%.

#### 执行标准:

270型: 阀体和阀板材质为球墨铸铁

474型: 阀体和阀板材质为不锈钢316

适用范围: DN 40至DN 200 PN 10 - PN 16 - ANSI 150

法兰标准: PN 10 - PN 16 - ANSI 150

结构长度符合ISO 5752标准

阀门头符合ISO 5211标准

金属密封蝶阀适合工作温度为-50°C至+100°C的流体应用。

工作压力: DN40-DN200 PN16bar

阀门泄漏约1.5-2%

#### On request:

Models from DN40 to DN400 with working temperature from -50°C to +500°C, are available on request.

For further information, please contact our technical offices.

#### 可选:

DN40至DN400口径可根据要求提供工作温度为-50°C至+500°C的蝶阀。

其他应用, 请与我们技术部门联系。

#### Approvals:

ATEX version on request

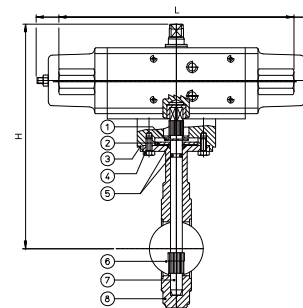
#### 证书:

特殊要求的ATEX认证

### VALVE CODES IN STANDARD EXECUTION 270/474 标准型阀体订货号

Size 口径	DN 40	DN 50	DN 65	DN 80	DN 100	DN 125	DN 150	DN 200		
free shaft 270 270型光阀体	V270XM68	V270XM69	V270XM70	V270XM71	V270XM72	V270XM73	V270XM74	V270XM75		
free shaft 474 474型光阀体	V474XM68	V474XM69	V474XM70	V474XM71	V474XM72	V474XM73	V474XM74	V474XM75		
weight 重量 Kg.	2,7	4,2	5,2	5,8	7,3	8,9	9,9	16		
with lever 270 270型手动阀	V270LM68	V270LM69	V270LM70	V270LM71	V270LM72	V270LM73	V270LM74	V270LM75		
with lever 474 474型手动阀	V474LM68	V474LM69	V474LM70	V474LM71	V474LM72	V474LM73	V474LM74	V474LM75		
weight 重量	3	4,5	5,5	6,3	7,8	9,4	10,4	19,9		
with gear box 270 270型蜗轮手动阀	V270RM68	V270RM69	V270RM70	V270RM71	V270RM72	V270RM73	V270RM74	V270RM75		
with gear box 474 474型蜗轮手动阀	V474RM68	V474RM69	V474RM70	V474RM71	V474RM72	V474RM73	V474RM74	V474RM75		
weight 重量 Kg.	3,2	4,7	5,7	6,6	8,1	9,7	10,7	20,3		

### AUTOMATED VALVE TYPE 270-474 270-474型自控蝶阀



#### DOUBLE ACTING PNEUMATIC ACTUATOR 双动气动蝶阀

Code 订货号	Actuator 执行器	Mounting kit 连接件	DN mm	L mm	H mm	Weight 重量 Kg
D ± XM68	DA015411S	KCF032498	40	160	234	3,5
D ± XM69	DA015411S	KCF032498	50	160	250	5
D ± XM70	DA015411S	KCF030923	65	160	265	6
D ± XM71	DA030411S	KCF030883	80	177	283	6,8
D ± XM72	DA030411S	KCF030883	100	177	303	8,3
D ± XM73	DA030411S	KCF030920	125	177	322	9,9
D ± XM74	DA030411S	KCF030920	150	177	332	10,9
D ± XM75	DA060412S	KCF042581	200	198	372	17,7

#### SPRING RETURN PNEUMATIC ACTUATOR 单动气动蝶阀

Code 订货号	Actuator 执行器	Mounting kit 连接件	DN mm	L mm	H mm	Weight 重量 Kg
S ± XM68	SR015401S	KCF032498	40	221	243	4
S ± XM69	SR015401S	KCF032498	50	221	259	5,5
S ± XM70	SR015401S	KCF030923	65	221	265	6,5
S ± XM71	SR030402S	KCF042579	80	240	268	6,8
S ± XM72	SR030402S	KCF042579	100	240	288	9,3
S ± XM73	SR030402S	KCF042580	125	240	322	10,8
S ± XM74	SR030402S	KCF042580	150	240	332	11,8
S ± XM75	SR060401S	KCF050925	200	320	398	19,6

± 270 Castiron valve; 474 AISI 316 valve ± 270 球墨铸铁蝶阀; 474 不锈钢316蝶阀

#### VALVE MATERIALS

1) Safety elastic ring	Nickel-plated steel
2) Washer	Nickel-plated steel
3) Adapter	Painted aluminium
4) Screws	Nickel-plated steel
5) O-ring	FKM
6) Butterfly	Spheroidal cast iron GGG50 - AISI 316
7) Driving shaft	AISI 420 - AISI 303
8) Body	Spheroidal cast iron GGG50 - AISI 316

#### 材质表

1) 安全弹性圈	镀镍钢
2) 垫圈	镀镍钢
3) 转接板	镀锌
4) 螺钉	镀镍不锈钢
5) O型圈	氟橡胶
6) 阀板	球墨铸铁GGG50 - 不锈钢316
7) 驱动轴	不锈钢420 - 不锈钢303
8) 阀体	球墨铸铁GGG50 - 不锈钢316



## 678型PVC蝶阀

ITEM 678

PVC butterfly valve to be inserted between flanges, "Wafer" type

PVC对夹式蝶阀, "Wafer" 型

### Standard version:

Body material: polypropylene fiber glass reinforced  
Butterfly: PVC-C  
Seal: EPDM

Working temperature: from 0°C to +60°C  
Working pressure: see diagram  
Applications: chemicals and all kinds of fluids compatible with PVC-C and EPDM.

Available range: from DN40 to DN50 PN16  
(at 20°C) from DN65 to DN250 PN10  
DN300 PN8

Standard flanges: from DN40 to DN300  
PN10-PN16-ANSI 150

### 标准型:

阀体材质: 玻璃纤维增强聚丙烯纤维  
阀板: PVC-C  
密封: EPDM

工作温度: 0°C~+60°C  
工作压力: 见温度-压力图  
流体范围: 化工和所有适用于PVC-C及EPDM材质的流体

适用范围: DN40~DN50 PN16  
(20°C时) DN65~DN250 PN10  
DN300 PN8

标准法兰: DN40~DN300  
PN10-PN16-ANSI 150

### On request:

Butterfly: PVC  
PP-H  
PVDF

Seal: FPM or NBR

Gear box.

### 可选:

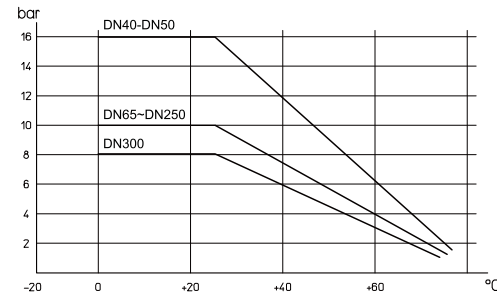
阀板: PVC  
PP-H  
PVDF

密封: 氟橡胶或丁腈橡胶

蜗轮蜗杆手轮

### VALVE CODES IN STANDARD EXECUTION 678 型阀体和手动阀

Size 口径	DN40	DN50	DN65	DN80	DN100	DN125	DN150	DN200	DN250	DN300
Free shaft 光阀体	V678PE68	V678PE69	V678PE70	V678PE71	V678PE72	V678PE73	V678PE74	V678PE75	V678PE76	V678PE77
weight 重量 Kg.	0,6	0,8	1	1,4	1,75	2,55	3,3	6	12	19
with lever 手动阀	L678PE68	L678PE69	L678PE70	L678PE71	L678PE72	L678PE73	L678PE74	L678PE75		
weight 重量 Kg.	0,9	1	1,47	1,87	2,22	3,1	3,85	6,75		



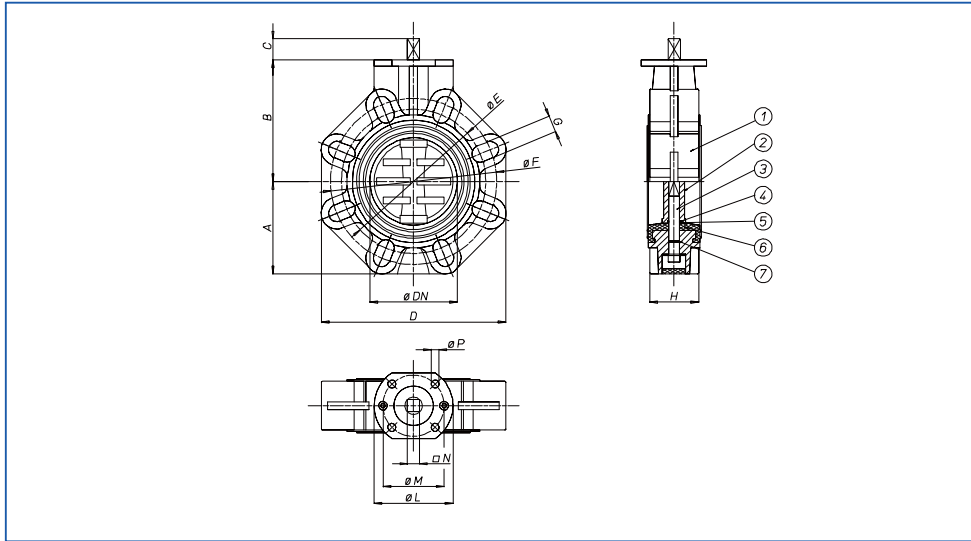
Pressure/temperature diagram  
压力-温度图

### BREAK AWAY TORQUES In Nm 开启扭矩 Nm

Size 口径	DN40	DN50	DN65	DN80	DN100	DN125	DN150	DN200	DN250	DN300
PN 0 bar										
PN 10 bar			11	21	32	45	64	168	171	502
PN 16 bar	9	10								
PN 40 bar										

Torque can vary depending on temperature and type of fluid; a safety factor of 1.4 must be applied. Torque can drop on high frequency of operations.  
开启扭矩与温度和介质有关, 应用时应考虑1.4倍的安全系数。在高频率操作下扭矩值会下降。

**VALVE TYPE 678**  
**678型蝶阀**



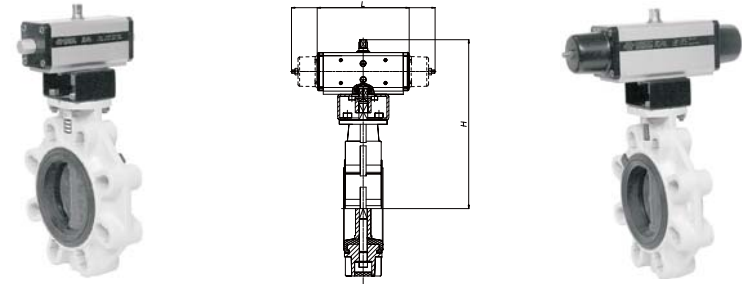
**MATERIALS 材质表**

1) Body 阀体	PP-GR
2) Disc 阀板	PVC-C
3) Shaft 阀轴	ACC. INOX
4) O-ring O型圈	EPDM / FPM
5) Antifriction ring 减摩擦环	P.T.F.E.
6) Sealing 密封	EPDM / FPM
7) Shaft o-ring 轴O型圈	EPDM / FPM

**DIMENSIONS 尺寸表**

Size 口径	PN	A	B	C	D	E	F	G	H	L	M	N	P	n° holes
DN40	16	48	106	24	132	99	109	19	33	90	50	11	7	4
DN50	16	58	112	24	147	115	125,5	19	43	90	50	11	7	4
DN65	10	68	119	24	165	128	144	19	46	90	50/70	11	7/9	4
DN80	10	81	133	28	185	145	160	19	49	90	70	14	9	8
DN100	10	95	147	28	211	165	190	19	56	90	70	14	9	8
DN125	10	108	167	31	240	204	215	23	64	90	70	17	9	8
DN150	10	122	180	31	268	230	242	23	70	90	70	17	9	8
DN200	10	149	227	36	323	280	298	23	71	175	102	22	11	8
DN250	10	198	248	41	405	335	362	25,4	114	175	102	27	11	12
DN300	8	233	305	41	475	390	432	29	114	175	102	27	11	12

**AUTOMATED VALVE TYPE 678**  
**678型自控蝶阀**



DOUBLE ACTING PNEUMATIC ACTUATOR 双动气动蝶阀							SPRING RETURN PNEUMATIC ACTUATOR 单动气动蝶阀						
Model 订货号	Actuator 执行器	Mounting kit 安装支架	DN mm	L mm	H mm	Weight 重量 kg	Model 订货号	Actuator 执行器	Mounting kit 安装支架	DN mm	L mm	H mm	Weight 重量 kg
D678PE68	DA015401S	KCF033203	40	114	160,4	1,3	S678PE68	SR015401S	KCF033203	40	221	168,4	1,9
D678PE69	DA015401S	KCF033203	50	114	170,4	1,5	S678PE69	SR015401S	KCF033203	50	221	178,4	2,1
D678PE70	DA015401S	KCF033203	65	114	180,4	1,7	S678PE70	SR015401S	KCF033203	65	221	188,4	2,3
D678PE71	DA030401S	KCF033205	80	130,2	201,4	2,4	S678PE71	SR030402S	KCF043014	80	240,2	211,4	3,4
D678PE72	DA045402S	KCF043014	100	144,1	220,7	3	S678PE72	SR045401S	KCF053019	100	293,6	204,5	4,15
D678PE73	DA060402S	KCF043206	125	152	238,4	4,11	S678PE73	SR060401S	KCF053020	125	319,5	264,4	6
D678PE74	DA090401S	KCF053020	150	168,6	259,5	5,15	S678PE74	SR090401S	KCF073021	150	357	260	7,9
D678PE75	DA120401S	KCF053208	200	183,9	305,4	8,8	S678PE75	SR120401S	KCF073202	200	368,2	325,4	12,7
D678PE76	DA240401S	KCF073209	250	241,8	394,4	17,3	S678PE76	SR240401S	KCF103210	250	456	418	23
D678PE77	DA360401S	KCF0103210	300	264	441	26,2	S678PE77	SR360401S	KCF123207	300	565,5	423	34,9

VALVE WITH ELECTRIC ACTUATORS ON REQUEST

可根据客户要求提供电动蝶阀